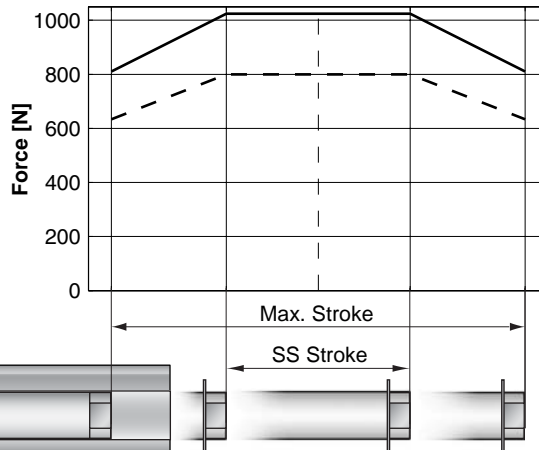
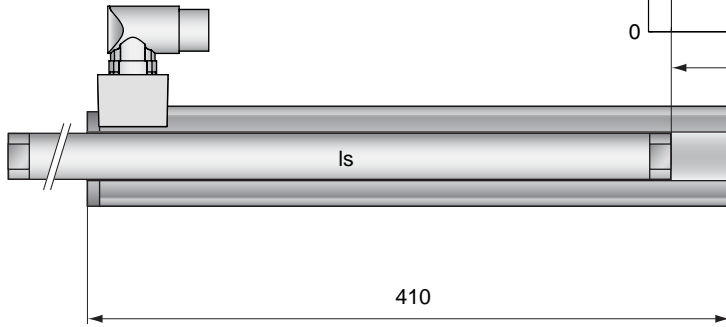


Peak Force: 1024N
Max. Stroke: 210/330/420/510
 630/720/930/1110
 1320/1530/1710



— E1150-UC, 72VDC
 - - - E1100-XC, 72VDC

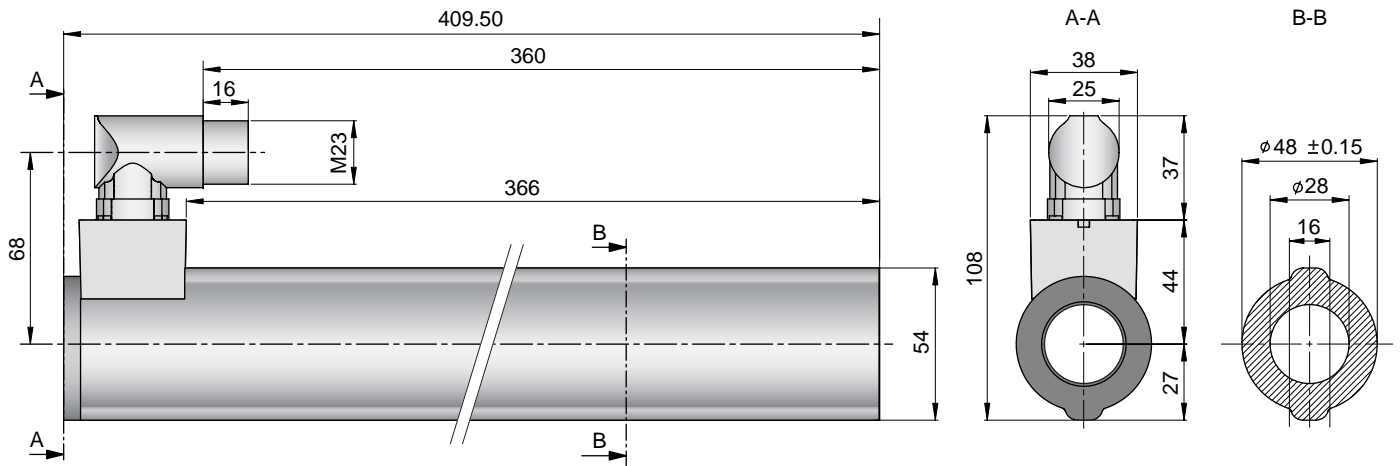


Dimensions in mm

Motor Specification

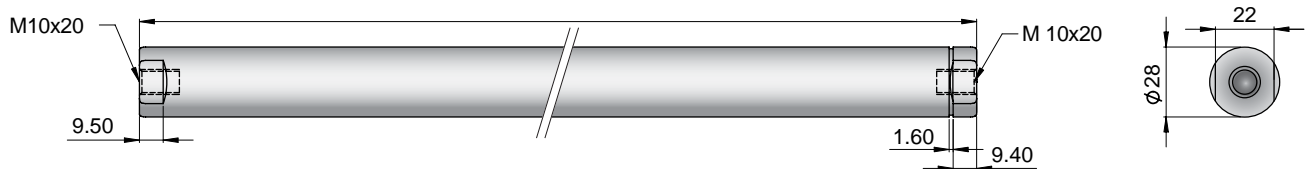
P01-		F- Wicklung											
		48x360F											
Stroke Max.	mm (in)	210	330	420	510	630	720	930	1110	1320	1530	1710	
Stroke SS	mm (in)	60	180	270	360	480	570	780	960	1170	1380	1560	
Slider Diameter	mm (in)	28 (1.10)											
Slider Length	mm	500	620	710	800	920	1010	1220	1400	1610	1820	2000	
Slider Mass	g	2160	2720	3140	3560	4120	4540	5510	6350	7330	8300	9140	
Peak Force E1250-UC	N (lbf)	1024 (230.1)											
Peak Force E1100-XC	N (lbf)	800 (179.8)											
Cont. Force	N (lbf)	203 (45.7)											
Cont. Force Fan cooling	N (lbf)	354 (79.7)											
Border Force	%	79											
Force Constant	N/A (lbf/A)	32.0 (7.19)											
Max. Current @ 72VDC	A	32.0											
Max. Current @ 48VDC	A	- -											
Max. Velocity @ 72VDC	m/s (in/s)	2.1 (82)											
Max. Velocity @ 48VDC	m/s (in/s)	- -											
Phase Resist. 25/80 °C	Ohm	1.38/1.67											
Phase Inductance	mH	1.6											
Thermal Resistance	°K/W	0.8											
Thermal Time Const.	sec	3200											
Stator Diameter	mm (in)	48 (1.89)											
Stator Length	mm (in)	410 (16.12)											
Stator Mass	g (lb)	2880 (6.35)											
Position Repeatability	mm (in)	±0.05 (±0.0020)											
Linearity	%	±0.25	±0.20	±0.15	±0.15	±0.15	±0.10	±0.10	±0.10	±0.10	±0.10	±0.10	±0.10
Position Rep. with ES	mm (in)	±0.01 (±0.0004)											
Linearity with ES	mm (in)	±0.01 (±0.0004)											

Connector Type



PL01-28x.../...

Is
 500mm 620mm 710mm 800mm
 920mm 1010mm 1220mm 1400mm
 1610mm 1820mm 2000mm



Linear Motor		Stator		Slider	
Type	Art.No	Type	Art. No.	Type	Art. No.
P01-48x360/60x210	-->			& PL01-28x500/420	0150-1382
P01-48x360/180x330	-->			& PL01-28x620/540	0150-1383
P01-48x360/270x420	-->			& PL01-28x710/630	0150-1384
P01-48x360/360x510	-->			& PL01-28x800/720	0150-1385
P01-48x360/480x630	-->			& PL01-28x920/840	0150-1386
P01-48x360/570x720	-->	PS01-48x360F-C	0150-1269	& PL01-28x1010/930	0150-1387
P01-48x360/780x930	-->			& PL01-28x1220/1140	0150-1388
P01-48x360/960x1110	-->			& PL01-28x1400/1320	0150-1389
P01-48x360/1170x1320	-->			& PL01-28x1610/1530	0150-1390
P01-48x360/1380x1530	-->			& PL01-28x1820/1740	0150-1395
P01-48x360/1560x1710	-->			& PL01-28x2000/1920	0150-1396

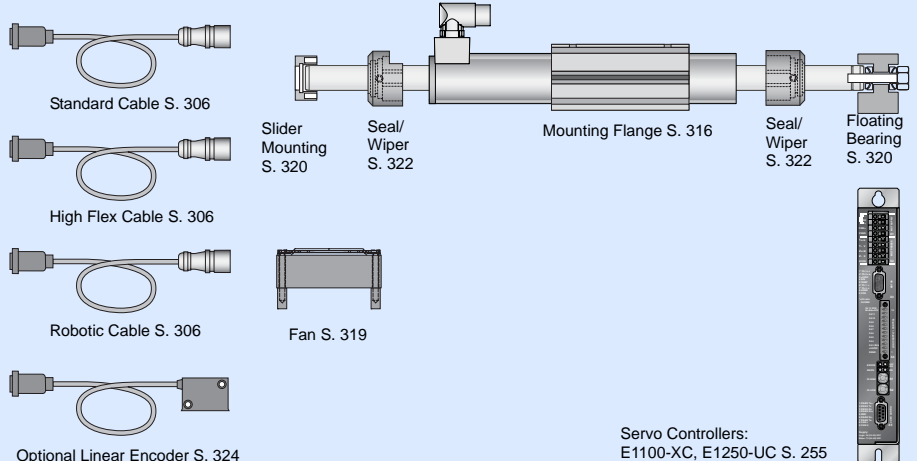
Connectors

Motor Connector Wiring

P01-48...-C

Ph 1+	red	A
Ph 1-	pink	B
Ph 2+	blue	C
Ph 2-	grey	D
+5VDC	white	E
GND	inner Shield	F
Sine	yellow	G
Cosine	green	H
Temp.	black	L
Shield	outer Shield	Case

Accessoires



Servo Controllers:
 E1100-XC, E1250-UC S. 255