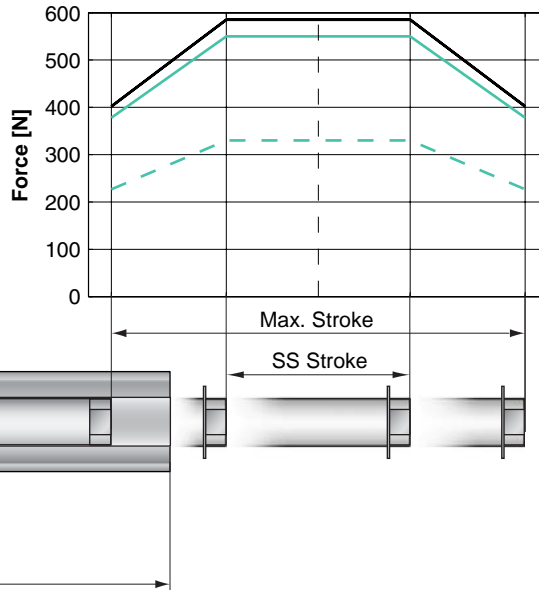
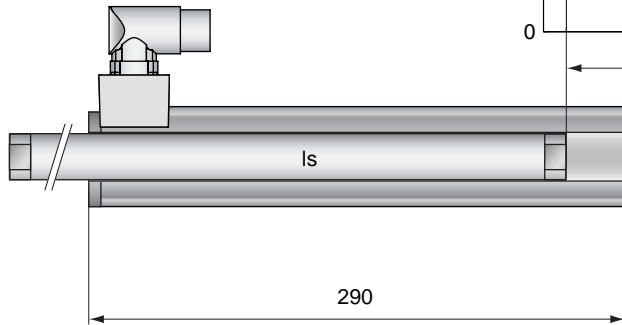


Peak Force: 585N
Max. Stroke: 180/240/330/450
540/630/750/840
1050/1230/1440
1650/1830



Standard Winding:
 — E1100-XC, 72VDC
 - - E1100-HC, 72VDC

Fast Winding
 — E1100-XC, 72VDC
 - - E1100-HC, 72VDC

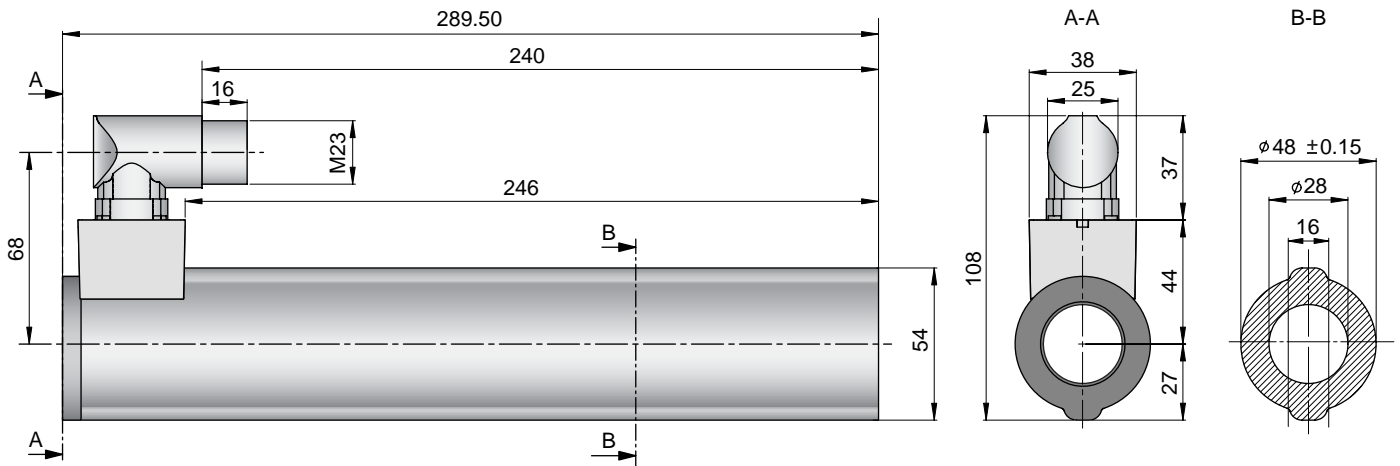


Dimensions in mm

Motor Specification

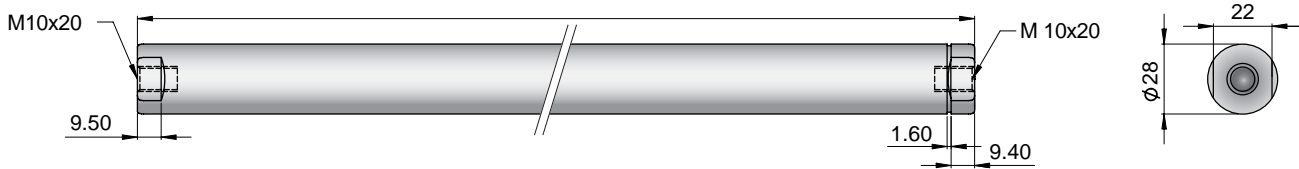
P01-		Standard Winding							Fast Winding						
		48x240-C							48x240F-C						
Stroke Max.	mm (in)	180	240	330	450	540	630	750	840	1050	1230	1440	1650	1830	
Stroke SS	mm (in)	30	90	180	300	390	480	600	690	900	1080	1290	1500	1680	
Slider Diameter	mm (in)	28 (1.10)													
Slider Length	mm	350	410	500	620	710	800	920	1010	1220	1400	1610	1820	2000	
Slider Mass	g	1460	1740	2160	2720	3140	3560	4120	4540	5510	6350	7330	8300	9140	
Peak Force E1100-XC	N (lbf)	585 (131.5)							550 (123.6)						
Peak Force E1100-HC	N (lbf)	585 (131.5)							330 (74.2)						
Cont. Force	N (lbf)								145 (32.5)						
Cont. Force Fan cooling	N (lbf)								258 (58.0)						
Border Force	%								69						
Force Constant	N/A (lbf/A)								39.0 (8.77)						
Max. Current @ 72VDC	A	15.0							26.0						
Max. Current @ 48VDC	A	12.7							26.0						
Max. Velocity @ 72VDC	m/s (in/s)	1.7 (67)							3.0 (119)						
Max. Velocity @ 48VDC	m/s (in/s)	1.1 (45)							2.0 (79)						
Phase Resist. 25/80 °C	Ohm	3.1/3.7							1.0/1.2						
Phase Inductance	mH	3.1							1.0						
Thermal Resistance	°K/W	1.1							1.1						
Thermal Time Const.	sec								3000						
Stator Diameter	mm (in)								48 (1.89)						
Stator Length	mm (in)								290 (11.40)						
Stator Mass	g (lb)								1930 (4.25)						
Position Repeatability	mm (in)								±0.05 (±0.0020)						
Linearity	%								±0.25						
Position Rep. with ES	mm (in)								±0.01 (±0.0004)						
Linearity with ES	mm (in)								±0.01 (±0.0004)						

Connector Type



PL01-28x.../...

Is
 350mm 410mm 500mm 620mm 710mm
 800mm 920mm 1010mm 1220mm 1400mm
 1610mm 1820mm 2000mm



Linear Motor Type	Art.No	Stator Type	Art. No.	Slider Type	Art No.
P01-48x240/30x180	-->			& PL01-28x350/270	0150-1380
P01-48x240/90x240	-->			& PL01-28x410/330	0150-1381
P01-48x240/180x330	-->			& PL01-28x500/420	0150-1382
P01-48x240/300x450	-->			& PL01-28x620/540	0150-1383
P01-48x240/390x540	-->	PS01-48x240-C	0150-1219	& PL01-28x710/630	0150-1384
P01-48x240/480x630	-->	PS01-48x240F-C	0150-1220	& PL01-28x800/720	0150-1385
P01-48x240/600x750	-->			& PL01-28x920/840	0150-1386
P01-48x240/690x840	-->			& PL01-28x1010/930	0150-1387
P01-48x240/900x1050	-->			& PL01-28x1220/1140	0150-1388
P01-48x240/1080x1230	-->			& PL01-28x1400/1320	0150-1389
P01-48x240/1290x1440	-->			& PL01-28x1610/1530	0150-1390
P01-48x240/1500x1650	-->			& PL01-28x1820/1740	0150-1395
P01-48x240/1680x1830	-->			& PL01-28x2000/1920	0150-1396

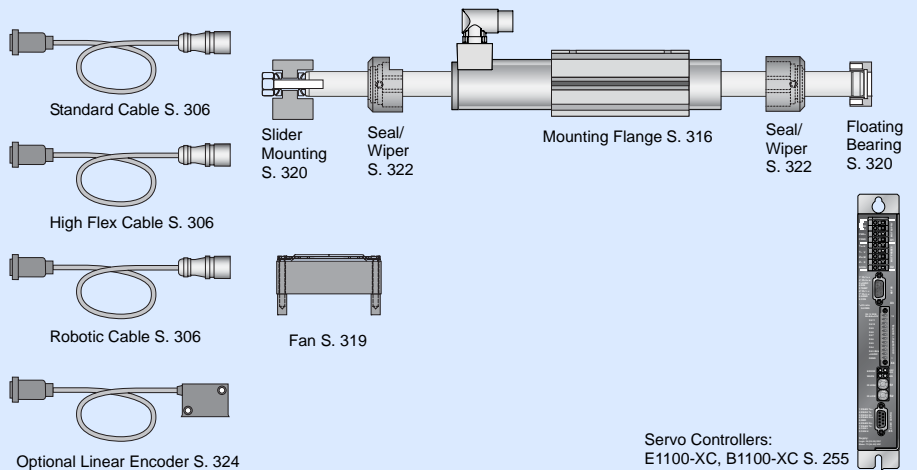
Connectors

Motor Connector Wiring

P01-48...-C

Ph 1+	red	A
Ph 1-	pink	B
Ph 2+	blue	C
Ph 2-	grey	D
+5VDC	white	E
GND	inner Shield	F
Sine	yellow	G
Cosine	green	H
Temp.	black	L
Shield	outer Shield	Case

Accessoires



Servo Controllers:
 E1100-XC, B1100-XC S. 255