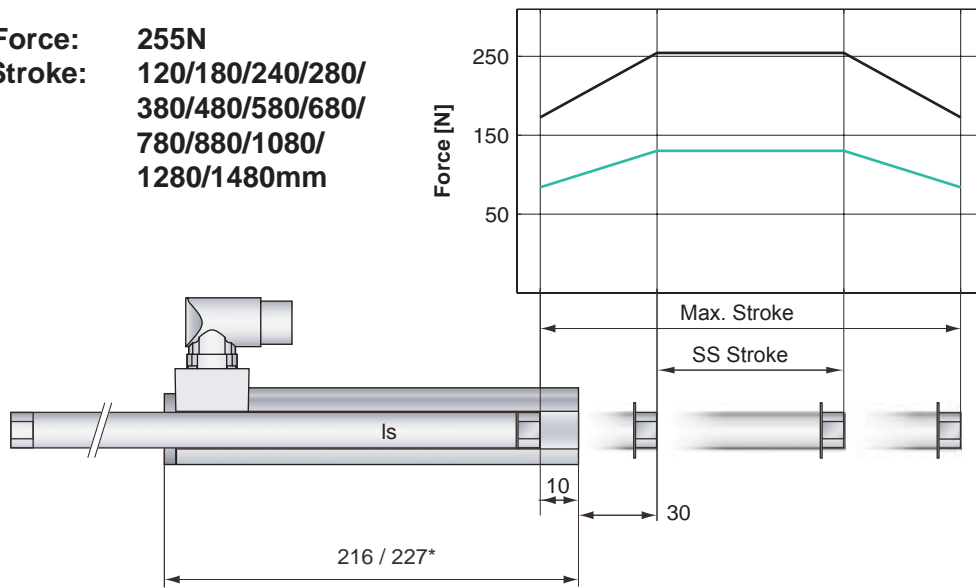


Peak Force: 255N
**Max. Stroke: 120/180/240/280/
 380/480/580/680/
 780/880/1080/
 1280/1480mm**



— E1100-HC, 72VDC
 — E1100, 72VDC & E1001, 72VDC

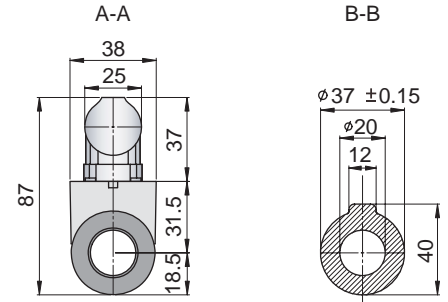
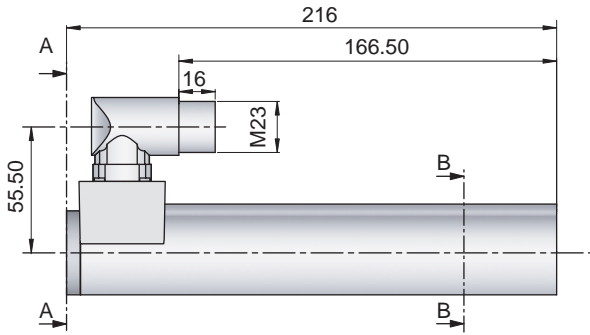
Dimensions in mm
 *Cable Type

Motor Specification

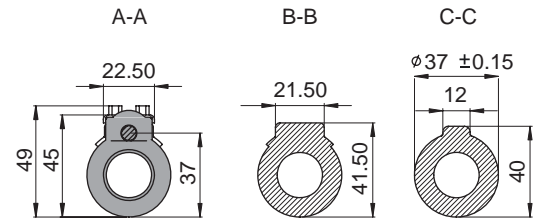
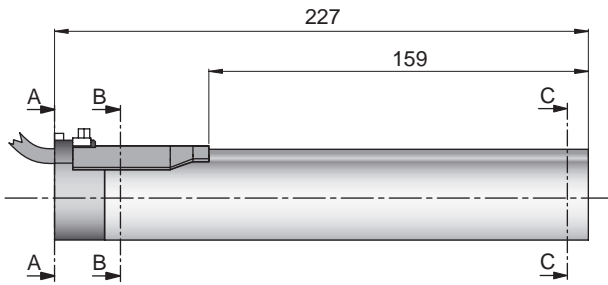
	P01-	Connector Type							Cable Type						
		37x120F-HP-C							37x120F-HP-C20						
Stroke Max.	mm (in)	120	180	240	280	380	480	580	680	780	880	1080	1280	1480	
Stroke SS	mm (in)	40	100	160	200	300	400	500	600	700	800	1000	1200	1400	
Peak Force E1100 - HC	N (lbf)	255 (57.3)													
Peak Force E1100 / E1001	N (lbf)	136 (30.6)													
Cont. Force	N (lbf)	51 (11.5)													
Cont. Force Fan cooling	N (lbf)	92 (20.7)													
Border Force	%	67													
Force Constant	N/A (lbf/A)	17 (3.83)													
Max. Current @ 72VDC	A	15													
Max. Current @ 48VDC	A	15													
Max. Velocity @ 72VDC	m/s (in/s)	3.9 (154)													
Max. Velocity @ 48VDC	m/s (in/s)	2.6 (102)													
Phase Resis. 25/110 °C	Ohm	2.35/3.2													
Phase Inductance	mH	1.6													
Thermal Resistance	°K/W	3.2													
Thermal Time Const.	sec	3100													
Stator Diameter	mm (in)	37 (1.46)													
Stator Length	mm (in)	216/227* (8.5/8.94*)													
Stator Mass	g (lb)	740 (1.63)													
Slider Diameter	mm (in)	20 (0.79)													
Slider Length	mm (in)	240	300	360	400	500	600	700	800	900	1000	1200	1400	1600	
Slider Mass	g (lb)	510	650	800	880	1110	1350	1580	1810	2040	2270	2740	3170	3640	
Position Repeatability	mm (in)	±0.05 (±0.0020)													
Linearity	%	±0.1													
Position Rep. with ES	mm (in)	±0.01 (±0.0004)													
Linearity with ES	mm (in)	±0.01 (±0.0004)													

High Performance Motors

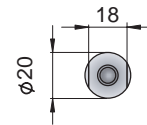
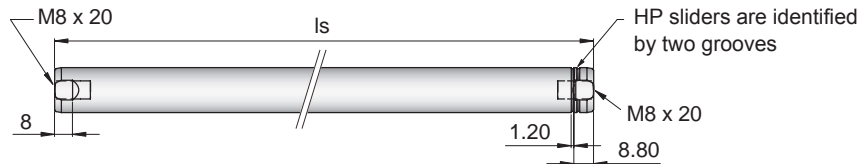
PS01-37x120F-HP-C



PS01-37x120F-HP-C20



PL01-20x.../...-HP



Is	240mm	300mm	360mm
	400mm	500mm	600mm
	700mm	800mm	900mm
	1000mm	1200mm	
	1400mm	1600mm	

Linear Motor		Stator		Slider	
Type	Art. Nr.	Type	Art. No.	Type	Art No.
P01-37x120F/40x120-HP	-->			& PL01-20x240/180-HP	0150-1505
P01-37x120F/100x180-HP	-->			& PL01-20x300/240-HP	0150-1506
P01-37x120F/160x240-HP	-->			& PL01-20x360/300-HP	0150-1507
P01-37x120F/200x280-HP	-->			& PL01-20x400/340-HP	0150-1508
P01-37x120F/300x380-HP	-->			& PL01-20x500/440-HP	0150-1509
P01-37x120F/400x480-HP	-->	PS01-37x120F-HP-C	0150-1251	& PL01-20x600/540-HP	0150-1510
P01-37x120F/500x580-HP	-->	PS01-37x120F-HP-C20	0150-1252	& PL01-20x700/640-HP	0150-1511
P01-37x120F/600x680-HP	-->			& PL01-20x800/740-HP	0150-1512
P01-37x120F/700x780-HP	-->			& PL01-20x900/840-HP	0150-1513
P01-37x120F/800x880-HP	-->			& PL01-20x1000/940-HP	0150-1514
P01-37x120F/1000x1080-HP	-->			& PL01-20x1200/1140-HP	0150-1515
P01-37x120F/1200x1280-HP	-->			& PL01-20x1400/1340-HP	0150-1516
P01-37x120F/1400x1480-HP	-->			& PL01-20x1600/1540-HP	0150-1517

Connectors

Motor Connector Wiring

Cable Length:
P01-37x120...-HP-C20 0.2m

Ph 1+	red	A
Ph 1-	pink	B
Ph 2+	blue	C
Ph 2-	grey	D
+5VDC	white	E
GND	inner Shield	F
Sine	yellow	G
Cosine	green	H
Temp.	black	L
Shield	outer Shield	Case

Accessoires

