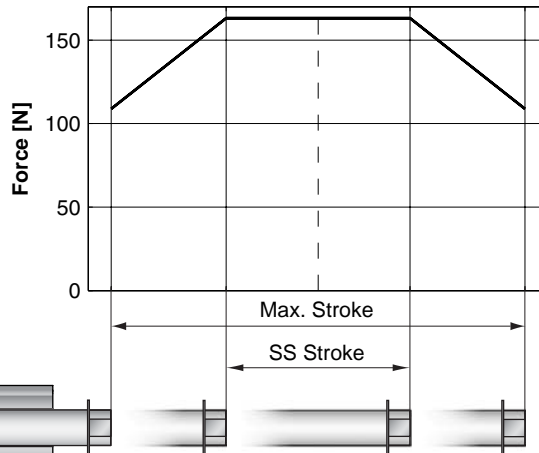
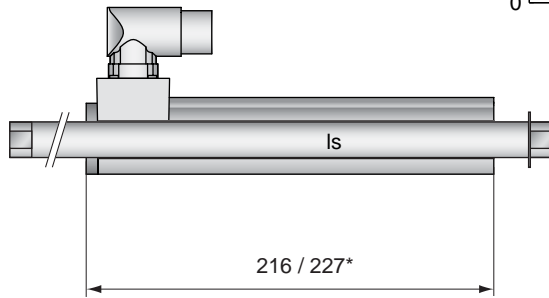


Peak Force: 163N
Max. Stroke: 100/160/260/360
 460/560/660/760
 860/1060/1260
 1460



Standard Winding:
 — E1100-HC, 72VDC
 — E1100, 72VDC & E1001, 72VDC

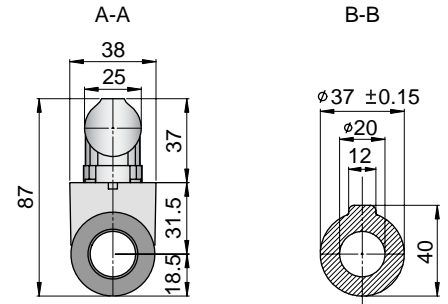
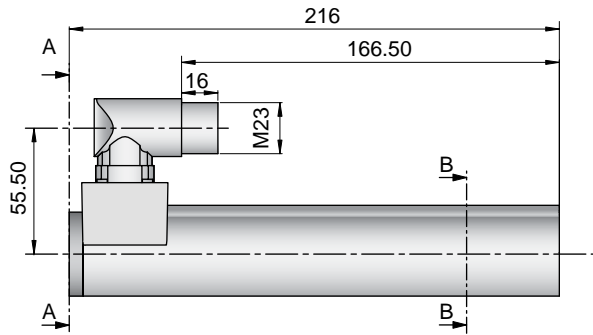


Dimensions in mm
 *Cable Type

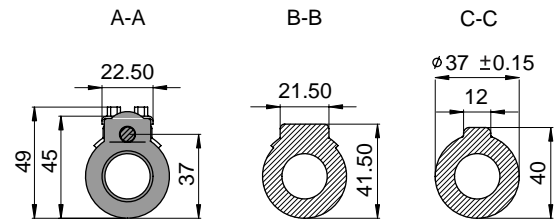
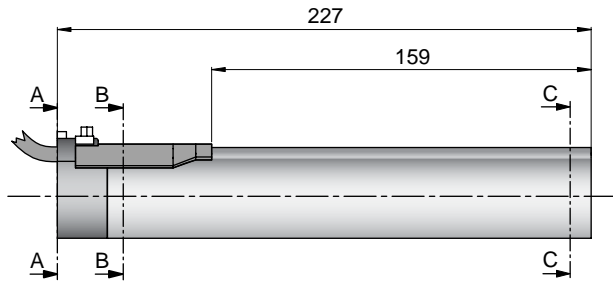
Motor Specification

	P01-	Connector Type						Cable Type					
		37x120-C						37x120 37x120-C20					
Stroke Max.	mm (in)	100	160	260	360	460	560	660	760	860	1060	1260	1460
Stroke SS	mm (in)	20	80	180	80	380	480	580	680	780	880	980	1080
Slider Diameter	mm (in)	20 (0.79)											
Slider Length	mm	240	300	395	500	600	700	800	900	1000	1200	1400	1600
Slider Mass	g	460	599	829	1064	1297	1529	1762	1994	2227	2692	3157	3622
Peak Force E1100-HC	N (lbf)	163 (36.7)											
Peak Force E1100 / E1001	N (lbf)	163 (36.7)											
Cont. Force	N (lbf)	29 (6.5)											
Cont. Force Fan cooling	N (lbf)	54 (12.2)											
Border Force	%	67											
Force Constant	N/A (lbf/A)	20.4 (4.59)											
Max. Current @ 72VDC	A	8.0											
Max. Current @ 48VDC	A	6.3											
Max. Velocity @ 72VDC	m/s (in/s)	3.2 (128)											
Max. Velocity @ 48VDC	m/s (in/s)	2.2 (85)											
Phase Resist. 25/80 °C	Ohm	6.2/7.5											
Phase Inductance	mH	3.1											
Thermal Resistance	°K/W	3.6											
Thermal Time Const.	sec	3.1											
Stator Diameter	mm (in)	37 (1.46)											
Stator Length	mm (in)	216 (8.50)						227 (8.94)					
Stator Mass	g (lb)	740 (1.63)											
Position Repeatability	mm (in)	±0.05 (±0.0020)											
Linearity	%	±0.40											
Position Rep. with ES	mm (in)	±0.01 (±0.0004)											
Linearity with ES	mm (in)	±0.01 (±0.0004)											

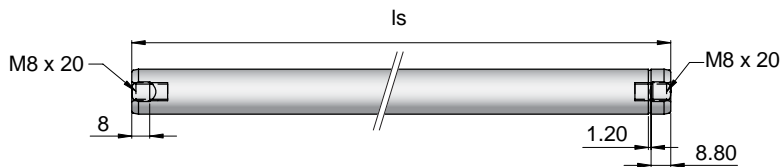
Connector Type



Cable Type



PL01-20x.../...



ls	240mm	300mm	395mm	500mm
	600mm	700mm	800mm	900mm
	1000mm	1200mm	1400mm	1600mm

Linear Motor		Stator		Slider	
Type	Art.No	Type	Art. No.	Type	Art. No.
P01-37x120/20x100	-->			& PL01-20x240/160	0150-1346
P01-37x120/80x160	-->			& PL01-20x300/220	0150-1348
P01-37x120/180x260	-->			& PL01-20x395/320	0150-1318
P01-37x120/280x360	-->			& PL01-20x500/420	0150-1328
P01-37x120/380x460	-->	PS01-37x120-C	0150-1223	& PL01-20x600/520	0150-1330
P01-37x120/480x560	-->	PS01-37x120	0150-1204	& PL01-20x700/620	0150-1332
P01-37x120/580x660	-->	PS01-37x120-C20	0150-1237	& PL01-20x800/720	0150-1334
P01-37x120/680x760	-->			& PL01-20x900/820	0150-1336
P01-37x120/780x860	-->			& PL01-20x1000/920	0150-1338
P01-37x120/980x1060	-->			& PL01-20x1200/1120	0150-1340
P01-37x120/1180x1260	-->			& PL01-20x1400/1320	0150-1342
P01-37x120/1380x1460	-->			& PL01-20x1600/1520	0150-1344

Connectors

Motor Connector Wiring

Cable Length:

P01-37x120...	1.5m
P01-37x120...-C20	0.2m

		P01-37...-C	P01-37...-C20	P01-37...
Ph 1+	red	A		1
Ph 1-	pink	B		2
Ph 2+	blue	C		3
Ph 2-	grey	D		4
+5VDC	white	E		5
GND	inner Shield	F		6
Sine	yellow	G		7
Cosine	green	H		8
Temp.	black	L		9
Shield	outer Shield	Case		10

Accessoires

