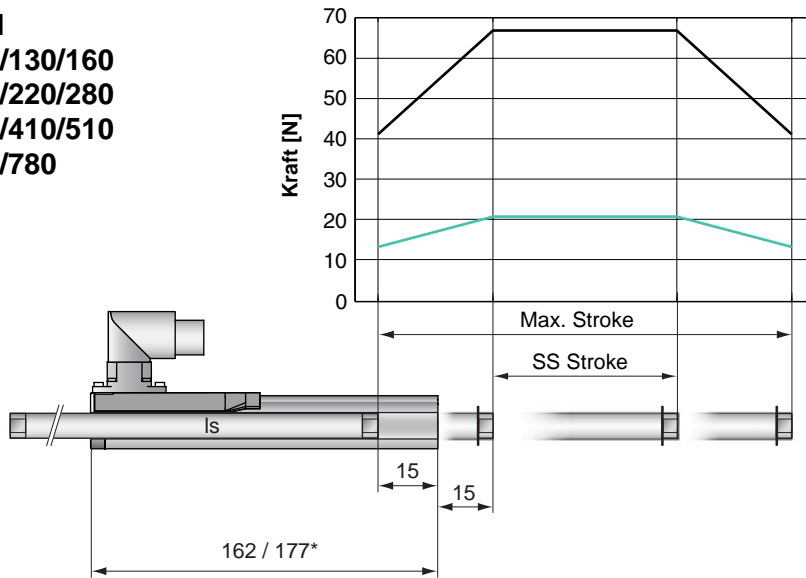


Peak Force: 67N
Max. Stroke: 100/130/160
200/220/280
350/410/510
690/780



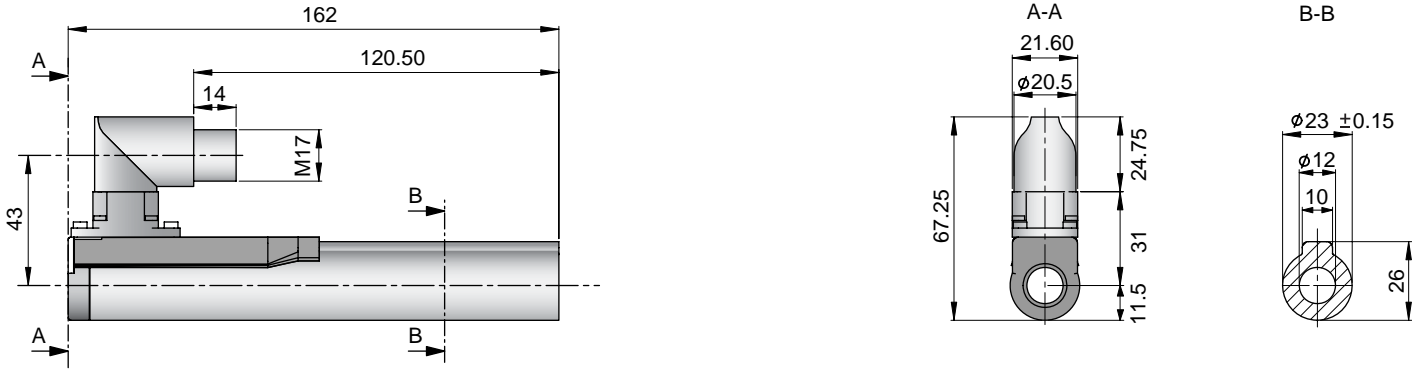
— E1100, 72VDC &
 E1001, 72VDC
 — E100, 48VDC

Dimensions in mm
 *Cable Type

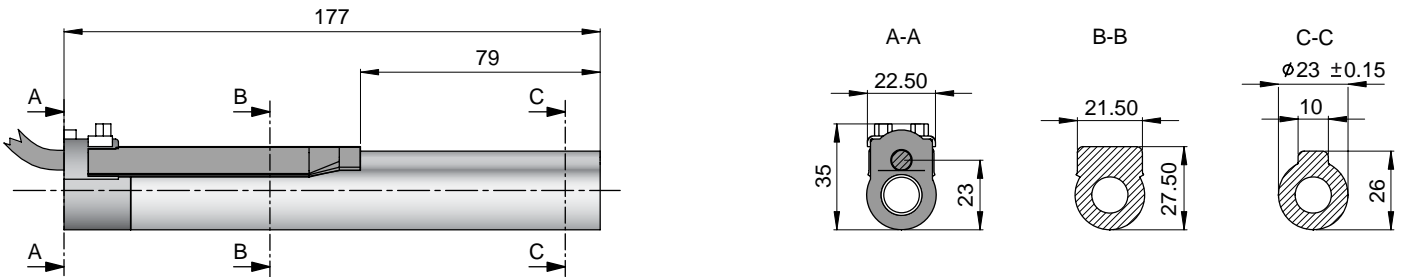
Motor Spezifikation

	P01-	Connector Type						Cable Type					
		23x80F-HP-R						23x80F-HP-R20					
Stroke Max.	mm (in)	100	130	160	200	220	280	350	410	510	690	780	
Stroke SS	mm (in)	40	70	100	140	160	220	290	350	450	630	720	
Peak Force E1100 / E1001	N (lbf)							67 (15.1)					
Peak Force E100	N (lbf)							21 (4.7)					
Cont. Force	N (lbf)							15 (3.5)					
Cont. Force Fan cooling	N (lbf)							25 (5.6)					
Border Force	%							63					
Force Constant	N/A (lbf/A)							9 (2.0)					
Max. Current @ 72VDC	A							7.5					
Max. Current @ 48VDC	A							7.5					
Max. Velocity @ 72VDC	m/s (in/s)							7.3 (287)					
Max. Velocity @ 48VDC	m/s (in/s)							4.9 (193)					
Phase Resis. 25/110 °C	Ohm							4.2/5.5					
Phase Inductance	mH							0.6					
Thermal Resistance	°K/W							5.6					
Thermal Time Const.	sec							1600					
Stator Diameter	mm (in)							23 (0.91)					
Stator Length	mm (in)							162/177* (6.38/6.97*)					
Stator Mass	g (lb)							265 (0.58)					
Slider Diameter	mm (in)							12 (0.47)					
Slider Length	mm (in)	170	200	230	270	290	350	420	480	580	760	850	
Slider Mass	g (lb)	125	150	175	210	230	280	340	390	475	625	700	
Position Repeatability	mm (in)							±0.05 (±0.0020)					
Linearity	%							±0.1					
Position Rep. with ES	mm (in)							±0.01 (±0.0004)					
Linearity with ES	mm (in)							±0.01 (±0.0004)					

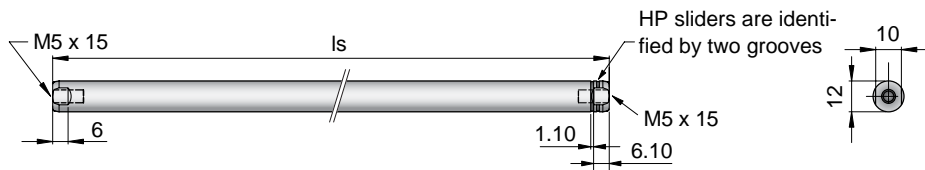
PS01-23x80F-HP-R



PS01-23x80F-HP-R20



PL01-12x.../...-HP



l_s	170mm	200mm	230mm	270mm	290mm	350mm	420mm	480mm	580mm	760mm	850mm
-------	-------	-------	-------	-------	-------	-------	-------	-------	-------	-------	-------

Linear Motor	Art. Nr.	Stator	Art. No.	Slider	Art No.
P01-23x80F/40x100-HP	-->			& PL01-12x170/130-HP	0150-1529
P01-23x80F/70x130-HP	-->			& PL01-12x200/160-HP	0150-1518
P01-23x80F/100x160-HP	-->			& PL01-12x230/190-HP	0150-1519
P01-23x80F/140x200-HP	-->			& PL01-12x270/230-HP	0150-1520
P01-23x80F/160x220-HP	-->	PS01-23x80F-HP-R	0150-1259	& PL01-12x290/250-HP	0150-1521
P01-23x80F/220x280-HP	-->	PS01-23x80F-HP-R20	0150-1260	& PL01-12x350/310-HP	0150-1522
P01-23x80F/290x350-HP	-->			& PL01-12x420/380-HP	0150-1523
P01-23x80F/350x410-HP	-->			& PL01-12x480/440-HP	0150-1524
P01-23x80F/450x510-HP	-->			& PL01-12x580/540-HP	0150-1525
P01-23x80F/630x690-HP	-->			& PL01-12x760/720-HP	0150-1526
P01-23x80F/720x780-HP	-->			& PL01-12x850/810-HP	0150-1527

Connectors

Motor Connector Wiring

Cable Length:
P01-23x80...-HP-R20 0.2m

Ph 1+	red	1
Ph 1-	pink	2
Ph 2+	blue	3
Ph 2-	gray	4
+5VDC	white	A
GND	inner Shield	B
Sine	yellow	C
Cosine	green	D
Temp.	black	E
Shield	outer Shield	Case

Accessoires

