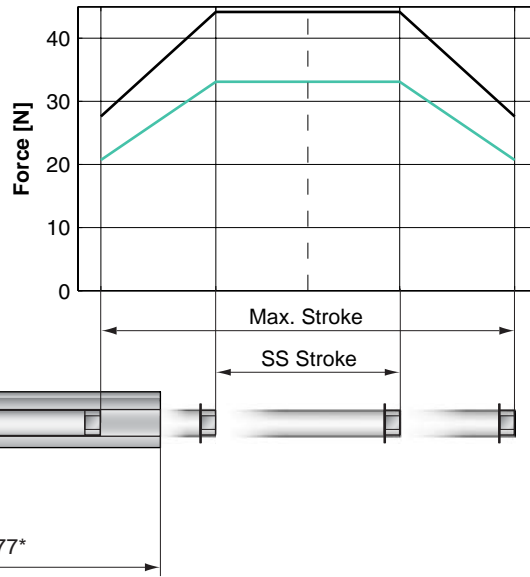


Peak Force: 39-44N
Max. Stroke: 50/90/110/140
 210/270/340/400
 500/680/770mm



Standard Winding:
 — E1100, 72VDC & E1001, 72VDC
 — E100, 48VDC

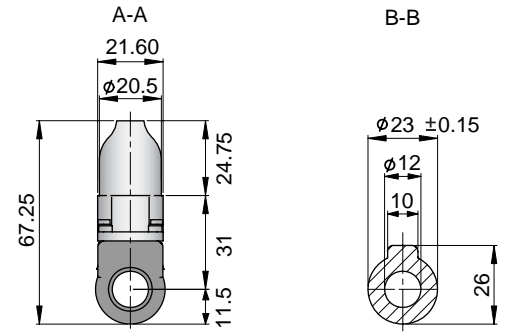
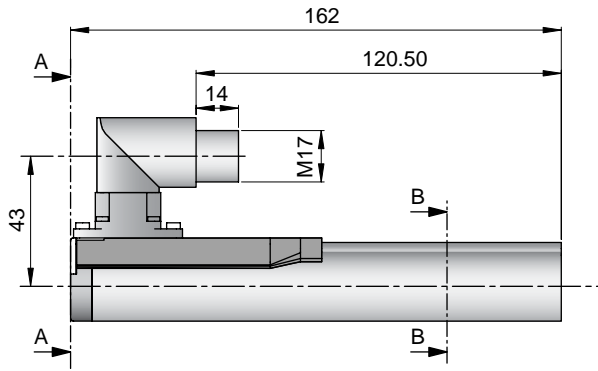
Dimensions in mm
 *Cable Type

Motor Specification

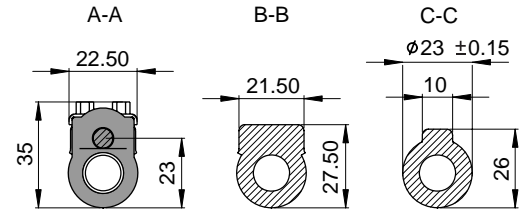
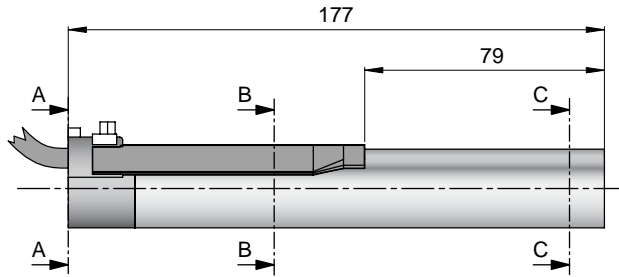
P01-		Connector Type						Cable Type					
		23x80F-R						23x80F-R20					
Stroke Max.	mm (in)	50	90	110	140	210	270	340	400	500	680	770	
Stroke SS	mm (in)	10	30	50	80	150	210	280	340	440	620	710	
Slider Diameter	mm (in)	12 (0.47)											
Slider Length	mm	130	170	190	270	290	350	420	480	580	760	850	
Slider Mass	g	89	118	135	171	220	271	330	380	465	615	690	
Peak Force E1100/E1001	N (lbf)	39**/44 (8.7**/9.9)											
Peak Force E100	N (lbf)	29**/33 (6.5**/7.4)											
Cont. Force	N (lbf)	8**/9 (1.7**/2.0)											
Cont. Force Fan cooling	N (lbf)	14**/16 (3.2**/3.7)											
Border Force	%	71/63											
Force Constant	N/A (lbf/A)	9.7**/11.0 (2.17**/2.48)											
Max. Current @ 72VDC	A	4.0											
Max. Current @ 48VDC	A	3.8											
Max. Velocity @ 72VDC	m/s (in/s)	6.9**/6.0 (279**/236)											
Max. Velocity @ 48VDC	m/s (in/s)	4.6**/4.0 (180**/157)											
Phase Resist. 25/80 °C	Ohm	10.3**/12.5											
Phase Inductance	mH	1.4											
Thermal Resistance	°K/W	7.0											
Thermal Time Const.	sec	1600											
Stator Diameter	mm (in)	23 (0.91)											
Stator Length	mm (in)	162 (6.38)						177 (6.97)					
Stator Mass	g (lb)	265 (0.58)											
Position Repeatability	mm (in)	±0.05 (±0.0020)											
Linearity	%	±0.70	±0.45	±0.40	±0.35	±0.30	±0.25	±0.25	±0.25	±0.20	±0.20	±0.20	
Position Rep. with ES	mm (in)	±0.01 (±0.0004)											
Linearity with ES	mm (in)	±0.01 (±0.0004)											

** P01-23x80/10x50

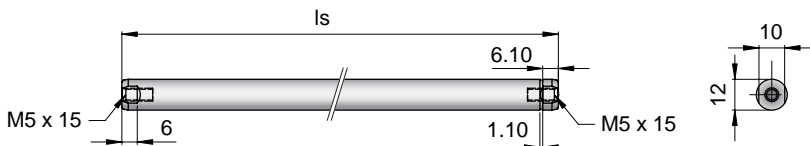
Connector Type



Cable Type



PL01-12x.../...



ls
130mm 170mm 190mm 270mm
290mm 350mm 420mm 480mm
580mm 760mm 850mm

Linear Motor		Stator		Slider	
Type	Art.No	Type	Art. No.	Type	Art. No.
P01-23x80/10x50	-->			& PL01-12x130/80	0150-1399
P01-23x80/30x90	-->			& PL01-12x170/120	0150-1301
P01-23x80/50x110	-->			& PL01-12x190/140	0150-1302
P01-23x80/80x140	-->	PS01-23x80-R	0150-1233	& PL01-12x270/170	0150-1307
P01-23x80/150x210	-->	PS01-23x80	0150-1201	& PL01-12x290/240	0150-1320
P01-23x80/210x270	-->	PS01-23x80-R20	0150-1241	& PL01-12x350/300	0150-1322
P01-23x80/280x340	-->			& PL01-12x420/370	0150-1324
P01-23x80/340x400	-->			& PL01-12x480/430	0150-1372
P01-23x80/440x500	-->			& PL01-12x580/530	0150-1355
P01-23x80/620x680	-->			& PL01-12x760/710	0150-1366
P01-23x80/710x770	-->			& PL01-12x850/800	0150-1365

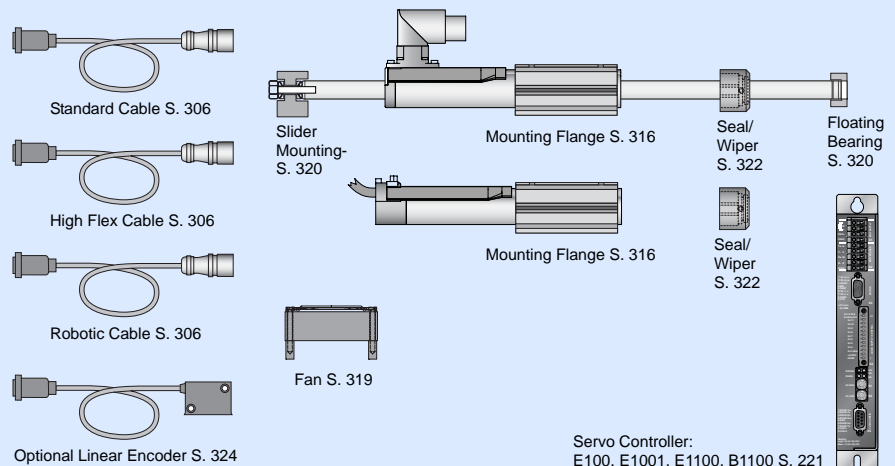
Connectors

Motor Connector Wiring

Cable Length:
P01-23x80/... 1.0m
P01-23x80/...-R20 0.2m

		P01-23...-R	P01-23...-R20	P01-23...-
Ph 1+	red	1	1	
Ph 1-	pink	2	6	
Ph 2+	blue	3	2	
Ph 2-	grey	4	7	
+5VDC	white	A	3	
GND	inner Shield	B	8	
Sine	yellow	C	4	
Cosine	green	D	9	
Temp.	black	E	5	
Shield	outer Shield	Case	Case	

Accessoires



Servo Controller:
E100, E1001, E1100, B1100 S. 221