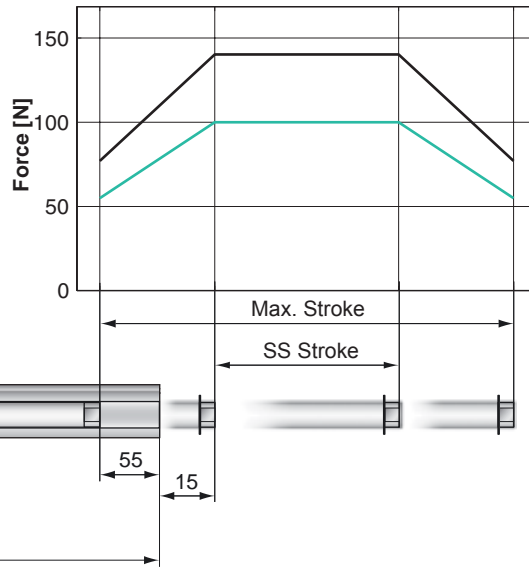
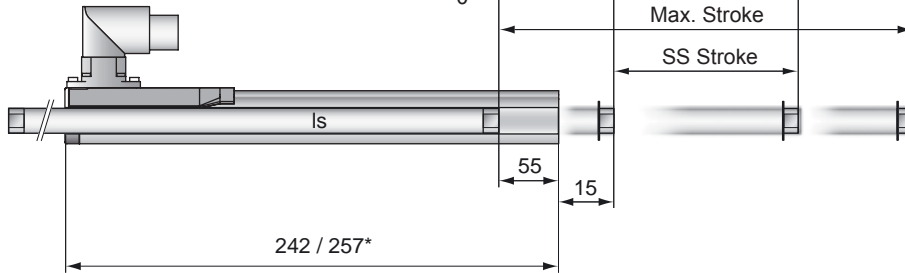


Peak Force: 137N
Max. Stroke: 160/200/220
 280/350/410
 510/690/780



— E1100HC, 72VDC
 — E1100, 72VDC & E1001, 72VDC

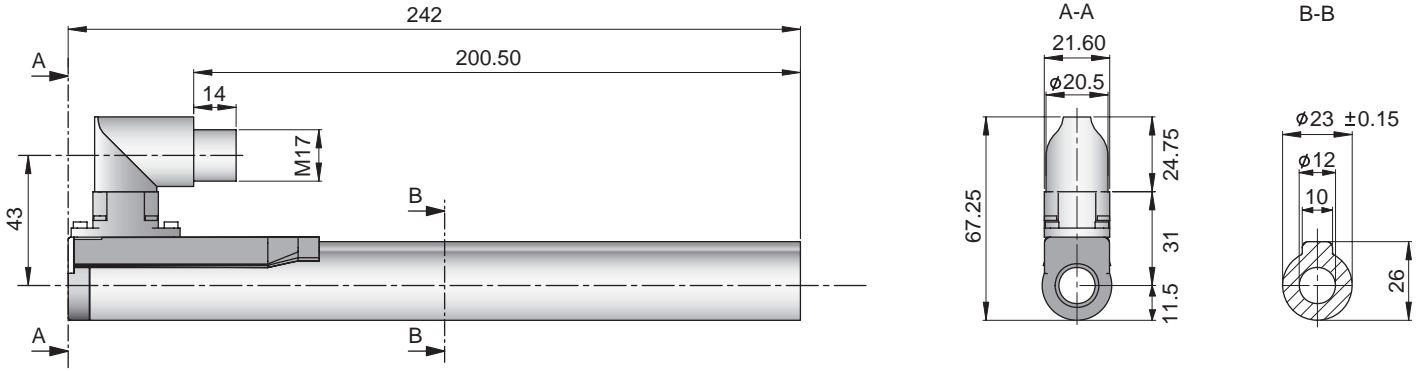


Dimensions in mm
 *Cable Type

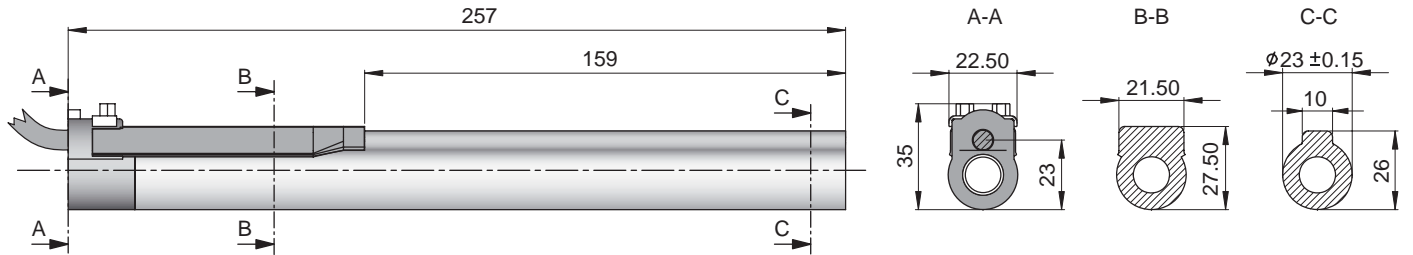
Motor Specification

	P01-	Connector Type					Cable Type				
		23x160H-HP-R					23x160H-HP-R20				
Stroke Max.	mm (in)	160	200	220	280	350	410	510	690	780	
Stroke SS	mm (in)	20	60	80	140	210	270	370	550	640	
Peak Force E1100 - HC	N (lbf)						137 (30.8)				
Peak Force E1100 / E1001	N (lbf)						100 (22.5)				
Cont. Force	N (lbf)						31 (7.0)				
Cont. Force Fan cooling	N (lbf)						48 (10.7)				
Border Force	%						56				
Force Constant	N/A (lbf/A)						12.5 (2.81)				
Max. Current @ 72VDC	A						11				
Max. Current @ 48VDC	A						10				
Max. Velocity @ 72VDC	m/s (in/s)						5.3 (208)				
Max. Velocity @ 48VDC	m/s (in/s)						3.5 (138)				
Phase Resist. 25/80 °C	Ohm						3.8/5.1				
Phase Inductance	mH						0.54				
Thermal Resistance	°K/W						2.7				
Thermal Time Const.	sec						1300				
Stator Diameter	mm (in)						23 (0.91)				
Stator Length	mm (in)						242/257* (9.53/10.12*)				
Stator Mass	g (lb)						450 (0.99)				
Slider Diameter	mm (in)						12 (0.47)				
Slider Length	mm (in)	230	270	290	350	420	480	580	760	850	
Slider Mass	g (lb)	175	210	230	280	340	390	475	625	700	
Position Repeatability	mm (in)						±0.05 (±0.0020)				
Linearity	%						±0.1				
Position Rep. with ES	mm (in)						±0.01 (±0.0004)				
Linearity with ES	mm (in)						±0.01 (±0.0004)				

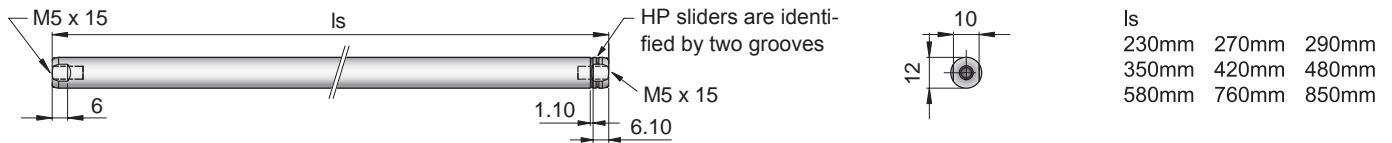
PS01-23x160H-HP-R



PS01-23x160H-HP-R20



PL01-12x.../...-HP



Linear Motor	Stator	Slider				
Type	Art. Nr.	Type	Art. No.	Art No.		
P01-23x160H/20x160-HP	-->	&	PL01-12x230/190-HP	0150-1519		
P01-23x160H/60x200-HP	-->	&	PL01-12x270/230-HP	0150-1520		
P01-23x160H/80x220-HP	-->	&	PL01-12x290/250-HP	0150-1521		
P01-23x160H/140x280-HP	-->	PS01-23x160H-HP-R	0150-1254	&	PL01-12x350/310-HP	0150-1522
P01-23x160H/210x350-HP	-->	PS01-23x160H-HP-R20	0150-1255	&	PL01-12x420/380-HP	0150-1523
P01-23x160H/270x410-HP	-->			&	PL01-12x480/440-HP	0150-1524
P01-23x160H/370x510-HP	-->			&	PL01-12x580/540-HP	0150-1525
P01-23x160H/550x690-HP	-->			&	PL01-12x760/720-HP	0150-1526
P01-23x160H/640x780-HP	-->			&	PL01-12x850/810-HP	0150-1527

Connectors

Motor Connector Wiring

Cable Length:
P01-23x160...-HP-R20 0.2m

Ph 1+	red	1
Ph 1-	pink	2
Ph 2+	blue	3
Ph 2-	gray	4
+5VDC	white	A
GND	inner Shield	B
Sine	yellow	C
Cosine	green	D
Temp.	black	E
Shield	outer Shield	Case

Accessoires

