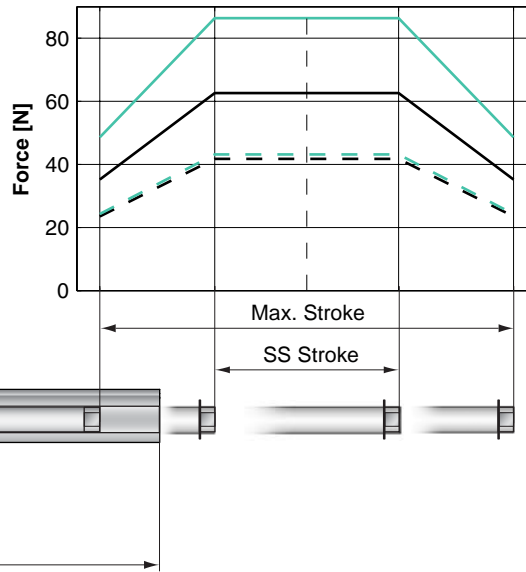
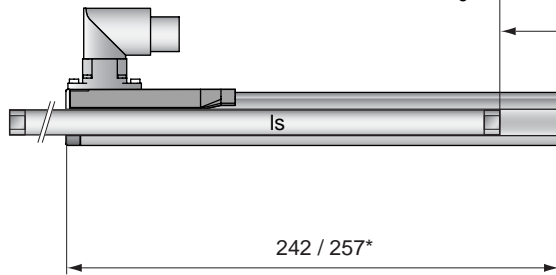


**Peak Force:** 49N\*\*/65N\*\*\*/86N  
**Max. Stroke:** 70/100/140/210  
 270/340/400/500  
 680/770



**Standard Winding:**  
 — E1100, 72VDC & E1001, 72VDC  
 - - - E100, 48VDC  
**Fast Winding**  
 — E1100, 72VDC & E1001, 72VDC  
 - - - E100, 48VDC



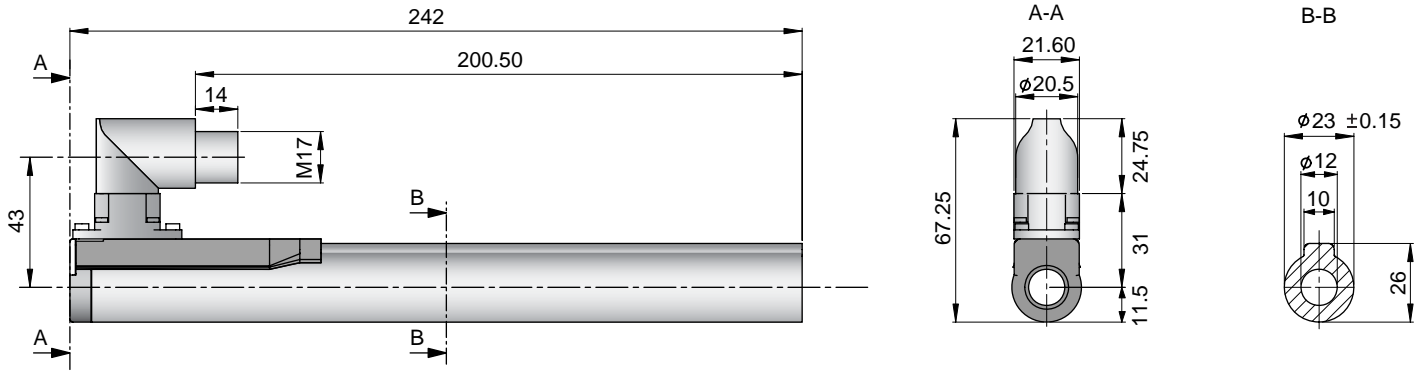
Dimensions in mm  
 \*Cable Type

## Motor Specification

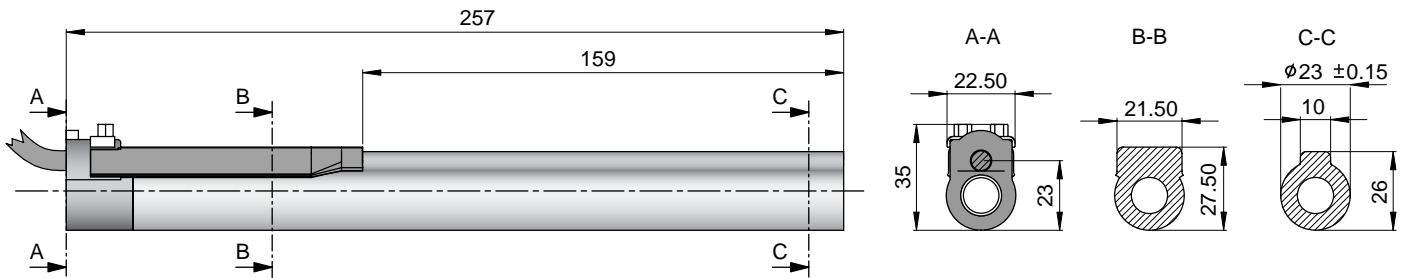
	P01-	Connector Type					Cable Type				
		Standard Winding		Fast Winding			Standard Winding			Fast Winding	
		23x160-R		23x160F-R			23x160 23x160-R20			23x160F-R20	
Stroke Max.	mm (in)	70	100	140	210	270	340	400	500	680	770
Stroke SS	mm (in)	70	40	0	70	130	200	260	360	540	630
Slider Diameter	mm (in)	12 (0.47)									
Slider Length	mm	200	230	270	290	350	420	480	580	760	850
Slider Mass	g	112	137	171	220	271	330	380	465	615	690
Peak Force E1100/E1001	N (lbf)	35(7.9)**/47(10.6)***/63(14.1)		49(10.9)**/65(14.6)***/86(19.4)			35(7.9)**/47(10.6)***/63(14.1)			49(10.9)**/65(14.6)***/86(19.4)	
Peak Force E100	N (lbf)	23(5.3)**/31(7.0)***/42(9.4)		24(5.5)**/32(7.3)***/43(9.7)			23(5.3)**/31(7.0)***/42(9.4)			24(5.5)**/32(7.3)***/43(9.7)	
Cont. Force	N (lbf)	9**/12***/17 (2.1**/2.8***/3.7)									
Cont. Force Fan cooling	N (lbf)	18**/24***/32 (4.0**/5.3***/7.1)									
Border Force	%	100**/75***/56									
Force Constant	N/A (lbf/A)	12.4 (2.79)**/16.6(3.72)***/22.1(4.96)		8.1**(1.82)/10.8(2.43)***/14.4(3.24)			12.4 (2.79)**/16.6(3.72)***/22.1(4.96)			8.1**(1.82)/10.8(2.43)***/14.4(3.24)	
Max. Current @ 72VDC	A	2.8		6.0			2.8			6.0	
Max. Current @ 48VDC	A	1.9		4.3			1.9			4.3	
Max. Velocity @ 72VDC	m/s (in/s)	5.3(210)**/4.0(157)***/3.0(118)		8.2(322)**/6.1(241)***/4.6(181)			5.3(210)**/4.0(157)***/3.0(118)			8.2(322)**/6.1(241)***/4.6(181)	
Max. Velocity @ 48VDC	m/s (in/s)	3.6(140)**/2.7(105)***/2.0(79)		5.5(215)**/4.1(161)***/3.1(121)			3.6(140)**/2.7(105)***/2.0(79)			5.5(215)**/4.1(161)***/3.1(121)	
Phase Resist. 25/80 °C	Ohm	20.6/24.9		9.0/10.9			20.6/24.9			9.0/10.9	
Phase Inductance	mH	2.7		1.2			2.7			1.2	
Thermal Resistance	°K/W	3.9		3.8			3.9			3.8	
Thermal Time Const.	sec	1900		1800			1900			1800	
Stator Diameter	mm (in)						23 (0.91)				
Stator Length	mm (in)	242 (9.53)					257 (10.2)				
Stator Mass	g (lb)						450 (0.99)				
Position Repeatability	mm (in)						±0.05 (±0.0020)				
Linearity	%						±0.55**/±0.45***/±0.35				
Position Rep. with ES	mm (in)						±0.01 (±0.0004)				
Linearity with ES	mm (in)						±0.01 (±0.0004)				

\*\* P01-23x160/70x70  
 \*\*\* P01-23x160/40x100

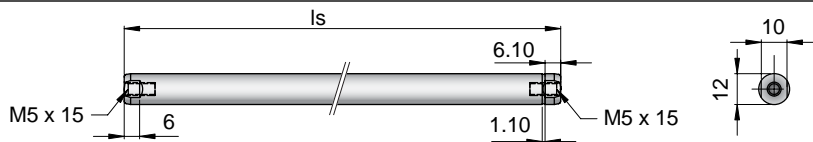
## Connector Type



## Cable Type



## PL01-12x.../...



$l_s$   
 200mm 230mm 270mm 290mm  
 350mm 420mm 480mm 580mm  
 760mm 850mm

Linear Motor		Stator		Slider	
Type	Art.No	Type	Art. No.	Type	Art. No.
P01-23x160/70x70	-->			& PL01-12x200/100	0150-1305
P01-23x160/40x100	-->			& PL01-12x230/130	0150-1306
P01-23x160/0x140	-->	PS01-23x160-R	0150-1234	& PL01-12x270/170	0150-1307
P01-23x160/70x210	-->	PS01-23x160F-R	0150-1235	& PL01-12x290/240	0150-1320
P01-23x160/130x270	-->	PS01-23x160	0150-1202	& PL01-12x350/300	0150-1322
P01-23x160/200x340	-->	PS01-23x160-R20	0150-1242	& PL01-12x420/370	0150-1324
P01-23x160/260x400	-->	PS01-23x160F-R20	0150-1243	& PL01-12x480/430	0150-1372
P01-23x160/360x500	-->			& PL01-12x580/530	0150-1355
P01-23x160/540x680	-->			& PL01-12x760/710	0150-1366
P01-23x160/630x770	-->			& PL01-12x850/800	0150-1365

## Connectors

### Motor Connector Wiring

Cable Length:  
 P01-23x160/... 1.0m  
 P01-23x160/...-R200.2m

		P01-23...-R	P01-23...-R20	P01-23...
Ph 1+	red	1	1	
Ph 1-	pink	2	6	
Ph 2+	blue	3	2	
Ph 2-	grey	4	7	
+5VDC	white	A	3	
GND	inner Shield	B	8	
Sine	yellow	C	4	
Cosine	green	D	9	
Temp.	black	E	5	
Shield	outer Shield	Case	Case	

## Accessoires

