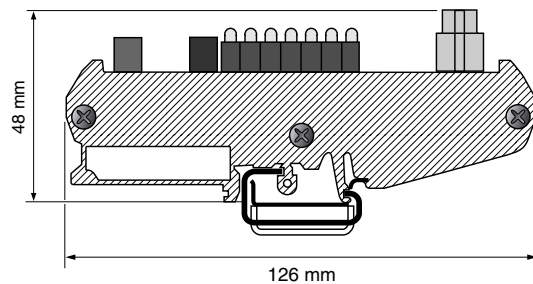


Break Out Module

The Break Out Module for the AT and MT servo controllers leads all input and output signal from the SYS1 and SYS2 DSUB connectors to plug-type screw terminals.



Break Out Module

The Break Out Module is available in two versions, with a digital or analog interface.

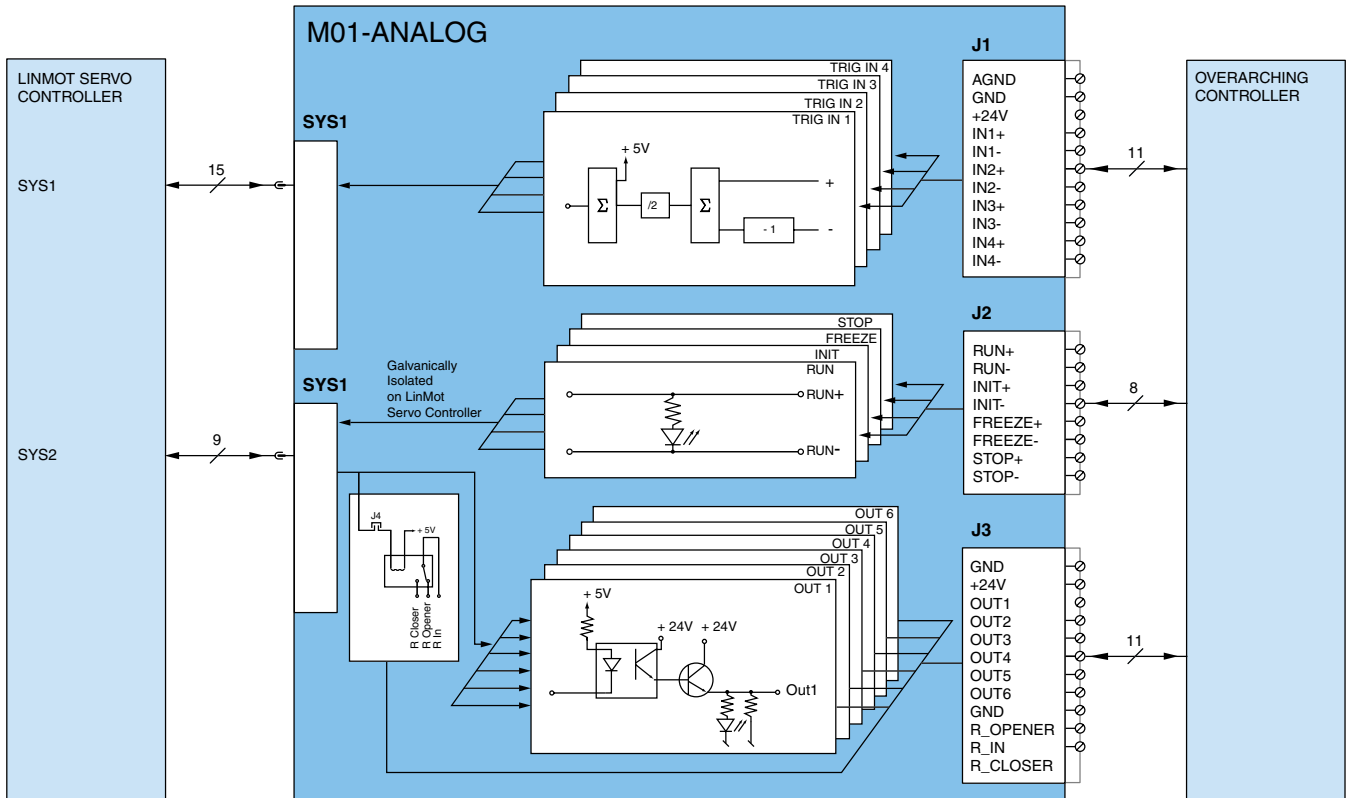
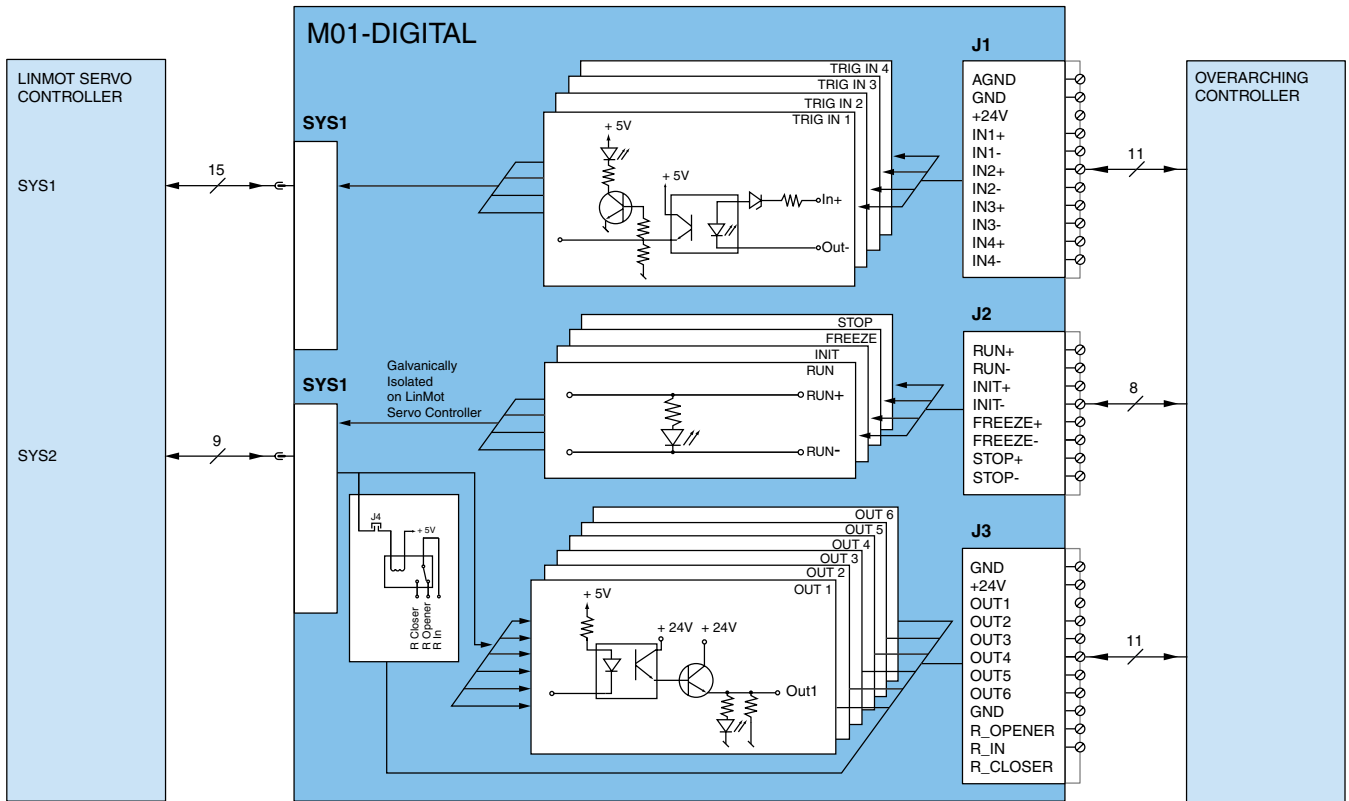
The Break Out Module is snapped onto the DIN rail directly in the electrical enclosure. Two tabs for screw mounting are also included.

Features:

- Plug-type screw terminals for all inputs and outputs
- Digital inputs, galvanically isolated, (24V/10mA)
- Digital outputs, galvanically isolated, (24V/0.5A)
- Relay output (48V/2A, max. 60W)
- LED status indicator for all inputs and outputs
- Analog input voltage -10...+10V for analog module.

Cable & Connector Set

The connection cable to the servo controller and the plug-type screw terminals are available as a set.



Item	Description	Part Number
M01-digital	Breakout Module digital	0150-1932
M01-analog	Breakout Module analog	0150-1933
M01-Connector	Cable and Connector set	0150-1934